

Compact67 Module IO-Link Series



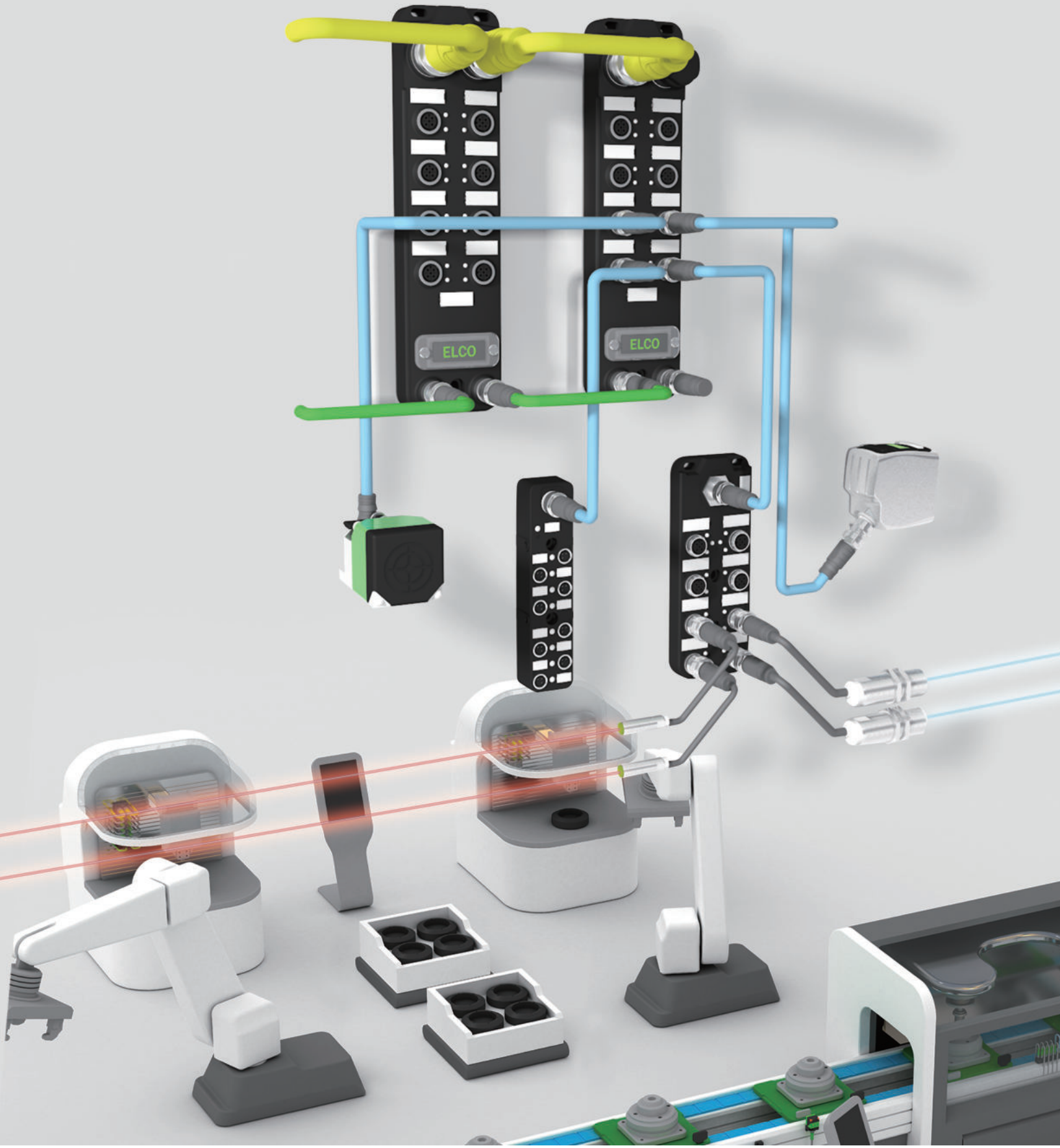


Compact67

Compact67 IOL: IO-Link Master + Device Solution

Compact67 Standard: Standard Fieldbus Distributed IO module

Compact67 Slim: Compact Fieldbus Distributed IO module



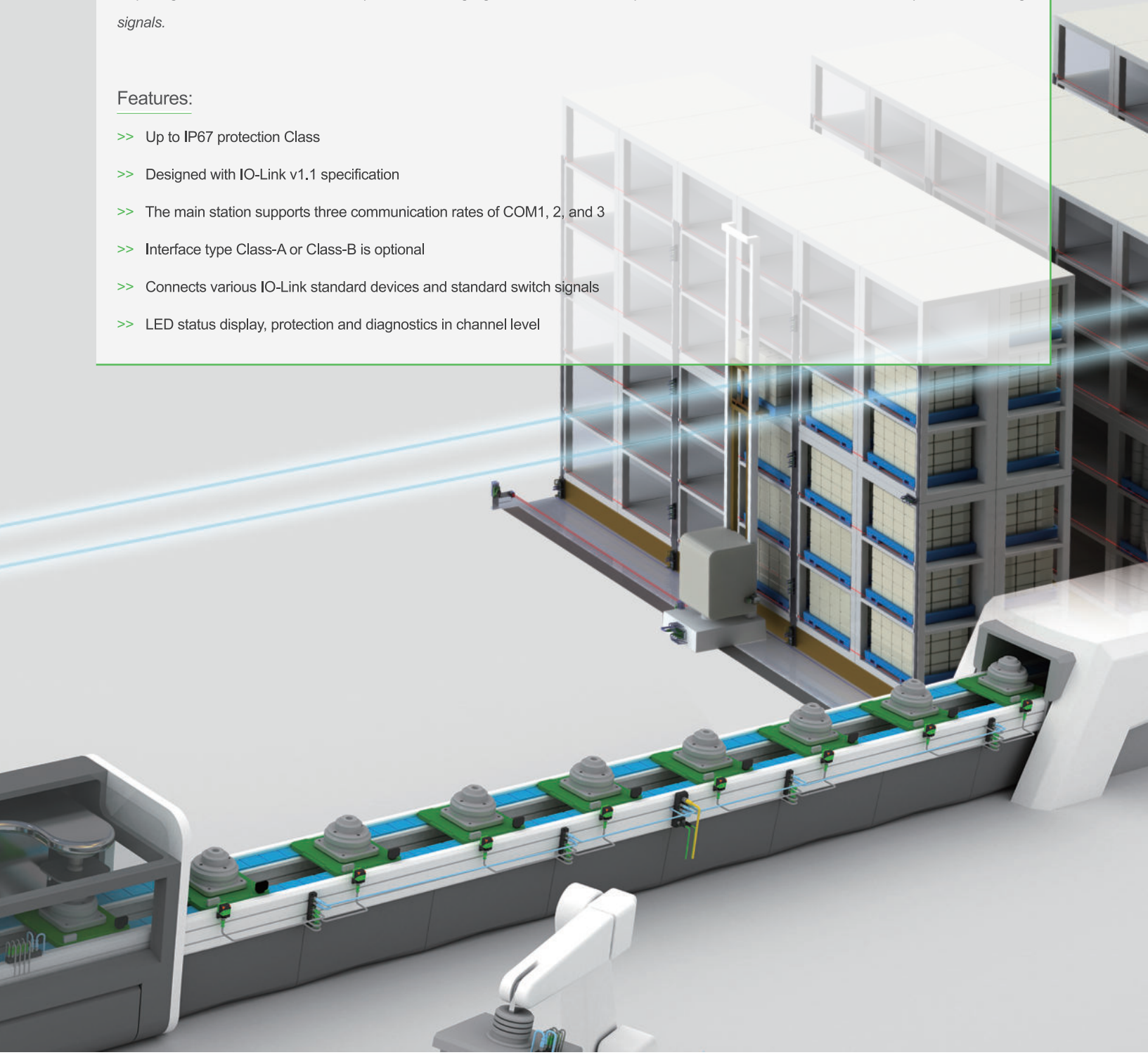
Overview:

ELCO's new Compact67 product, which supports IO-Link communication, does not require a dedicated communication cable as an IO-Link master. Efficient communication with IO-Link devices can be achieved using standard unshielded industrial cables. Each IO-Link master can support up to 8 IO-Link interfaces. It can select the interface type of Class-A or Class-B according to the requirements. It meets the requirements of IO-Link v1.1 version, and supports three transmission speed COM1 (4.8kbps) , COM2 (38.4kbps), COM3 (230.4kbps). It is easy to connect all brands of IO-Link sensors and other IO-Link devices, as well as sensors and actuators with common switching signal.

The IO-Link sensor hub, also introduced as an IO-Link device, meets the requirements of IO-Link v1.1 and supports COM2 (38.4 kbps) communication rate. It can be connected to Elco or other brands IO-Link masters for collecting field digital input signals and controlling digital output signals. Each hub can connect up to 16 switching signals, and with Elco's 8-port IO-Link master module, it can transmit up to 128 switching signals.

Features:

- >> Up to IP67 protection Class
- >> Designed with IO-Link v1.1 specification
- >> The main station supports three communication rates of COM1, 2, and 3
- >> Interface type Class-A or Class-B is optional
- >> Connects various IO-Link standard devices and standard switch signals
- >> LED status display, protection and diagnostics in channel level



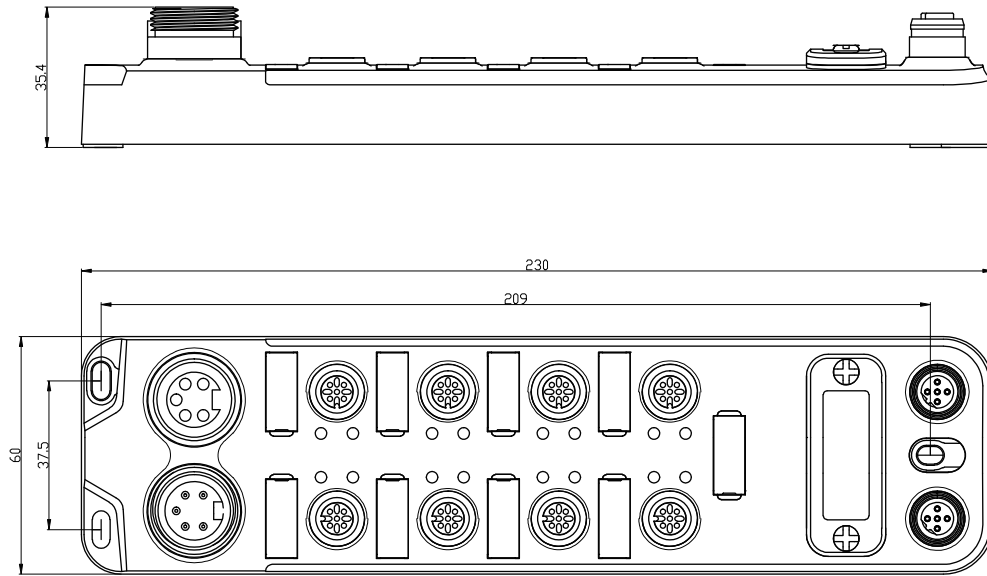
IO-Link Master

- IO-Link Version v1.1
- Support rates: COM1, COM2, COM3
- IO-Link Ports: Class-A or Class-B



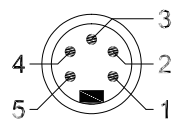
Ordering data			
Product type	FCPN-8LKM-4A4B	FCPN-8LKM-8A	FCPN-4LKM-4A4S
Description	8 IO-Link ports	8 IO-Link ports	4 IO-Link ports
Communication			
Protocol	Profinet		
Operating modes	Auto-negotiation, Auto-MDI/MDI-X		
Transfer rate	10/100 Mbps		
Addressing	Profinet standard, DCP		
Topology	Support		
Media Redundancy Protocol	Support		
Power supply			
Supply voltage	24 VDC (18...30 VDC)		
Current consumption	Max. 200mA		
System&Input supply	Us, Max. 8A		
Output supply	Ua, Max. 8A		
Electrical isolation	Us and Ua completely isolated		
Connections			
Power supply	2 x 7/8" 5pin, Male+Female		
Fieldbus	2 x M12 D-code 4pin, Female		
Signals	8 x M12 A-code 5pin, Female		
Interface			
IO-Link ports	8	8	4
IO-Link type	4*Class-A + 4*Class-B	8*Class-A	4*Class-A
IO-Link version	IO-Link V1.1		
IO-Link communication rates	COM1(4.8kbps), COM2(38.4kbps), COM3(230.4kbps)		
Input channels	Max. 12	Max. 16	Max. 16
Input supply current	IO-Link: 1.6A per channel, Signal: 200mA per channel		
Auxiliary supply current	2A per channel		
Input type	PNP sensors, mechanical switches, dry contacts, etc..		
Input delay	3.2 ms		
Output channels	Max. 12	Max. 16	Max. 16
Output current	Max. 2A per channel		
Output type	Lamps, solenoidvalve, etc..		
Output frequency	Resistive load 100Hz, Inductive load 5Hz		
Diagnostics			
Communication indication	LED indication, Communication message		
Voltage detection	Support, Low voltage alarm		
Short-circuit & Overload	Support, LED indication		
General data			
Protection	IP67		
Temperature	Operating -25...+70 °C, Storage -40...+85 °C		
Dimensions (W*H*D)	60x230x39 mm		

Dimensions drawing



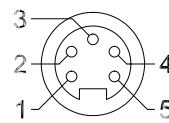
Voltage supply drawing

Power IN
(Male)



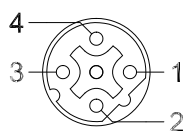
- 1-Auxiliary supply_Ua-
- 2-System/Input supply_Us-
- 3-Protective earth_PE
- 4-System/Input supply_Us+
- 5-Auxiliary supply_Ua+

Power Out
(Female)



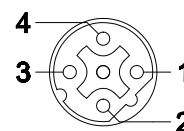
Fieldbus drawing

BUS IN
(Female)



- 1 - Transmit TD+
- 2 - Receive RD+
- 3 - Transmit TD-
- 4 - Receive RD-

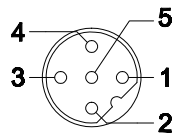
BUS OUT
(Female)



I/O Port drawing

I/O Port
(Female)

- 1 - Power supply_24V+
- 2 - Signal IN/OUT_B
- 3 - Power supply_GND
- 4 - Signal IN/OUT_A
- 5 - Protective earth_PE



Class-A Port
(Female)

- 1 - Power supply_24V+
- 2 - Signal IN/OUT
- 3 - Power supply_GND
- 4 - IO-Link or Signal IN/OUT
- 5 - Protective earth_PE

Class-B Port
(Female)

- 1 - Power supply_24V+
- 2 - Auxiliary supply_P24
- 3 - Power supply_GND
- 4 - IO-Link or Signal IN/OUT
- 5 - Auxiliary supply_N24

IO-Link Sensor Hub

- IO-Link Version v1.1
- Support rates: COM2
- IO-Link Ports: Class-A or Class-B



Ordering data

Product type	LKHA-1600P-M12	LKHA-0808P-M12	LKHA-0016P-M12
Description	16DI, Class-A, 8*M12	8DI+8DO, Class-A, 8*M12	16DO, Class-A, 8*M12
Product type	LKHB-1600P-M12	LKHB-0808P-M12	LKHB-0016P-M12
Description	16DI, Class-B, 8*M12	8DI+8DO, Class-B, 8*M12	16DO, Class-B, 8*M12

Connections

IO-Link	Class-A: 1 x M12 A-code 4pin, Male Class-B: 1 x M12 A-code 5pin, Male		
Power supply	Included in IO-Link interface		
Signals	8 x M12 A-code 5pin, Female		

Interface

Input channels	16	8	-
Input supply current	Max. 200mA per channel		
Input type	PNP sensors, mechanical switches, dry contacts, etc..		
Input delay	3.2 ms		
Output channels	-	8	16
Output current	Max. 500mA per channel, 2A in total		
Output type	Lamps, solenoidvalve, etc..		
Output frequency	Resistive load 100Hz, Inductive load 5Hz		

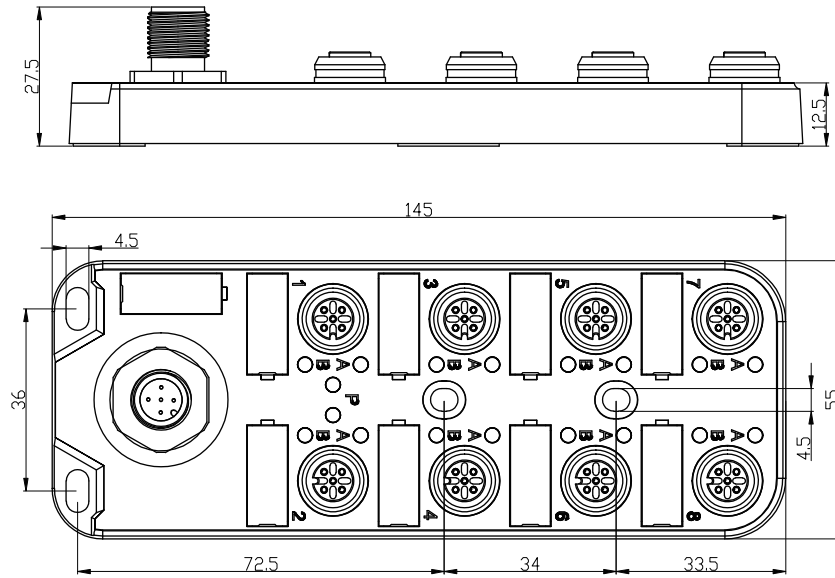
Diagnostics

Communication indication	LED indication, Communication message
Voltage detection	Support, Low voltage alarm
Short-circuit & Overload	Support, LED indication

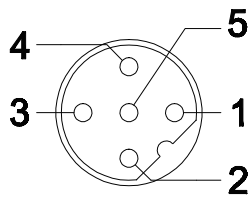
General data

Protection	IP67
Temperature	Operating -25...+70 °C, Storage -40...+85 °C
Dimensions (W*H*D)	55x145x28 mm

Dimensions drawing



Voltage supply drawing

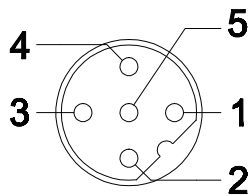


Class-A Port
(Male)

- 1-Power supply_24V+
- 2-Output supply_P24
- 3-Power supply_GND
- 4-IO-Link

Class-B Port
(Male)

- 1-Power supply_24V+
- 2-Output supply_P24
- 3-Power supply_GND
- 4-IO-Link
- 5-Output supply_N24

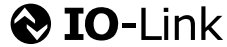


I/O Port
(Female)

- 1-Power supply_24V+
- 2-Signal IN/OUT_B
- 3-Power supply_GND
- 4-Signal IN/OUT_A
- 5-Protective earth_PE

IO-Link Sensor Hub

- IO-Link Verson v1.1
- Support rates: COM2
- IO-Link Ports: Class-A or Class-B



Ordering data

Product type	LKHA-0800P-M8	LKHA-0404P-M8	LKHA-0008P-M8
Description	8DI, Class-A, 8*M8	4DI+4DO, Class-A, 8*M8	8DO, Class-A, 8*M8
Product type	LKHB-0800P-M8	LKHB-0404P-M8	LKHB-0008P-M8
Description	8DI, Class-B, 8*M8	4DI+4DO, Class-B, 8*M8	8DO, Class-B, 8*M8

Connections

IO-Link	Class-A: 1 x M12 A-code 4pin, Male Class-B: 1 x M12 A-code 5pin, Male		
Power supply	Included in IO-Link interface		
Signals	8 x M8 3pin, Female		

Interface

Input channels	8	4	-
Input supply current	Max. 200mA per channel		
Input type	PNP sensors, mechanical switches, dry contacts, etc..		
Input delay	3.2 ms		
Output channels	-	4	8
Output current	Max. 500mA per channel, 2A in total		
Output type	Lamps , solenoidvalve, etc..		
Output frequency	Resistive load 100Hz, Inductive load 5Hz		

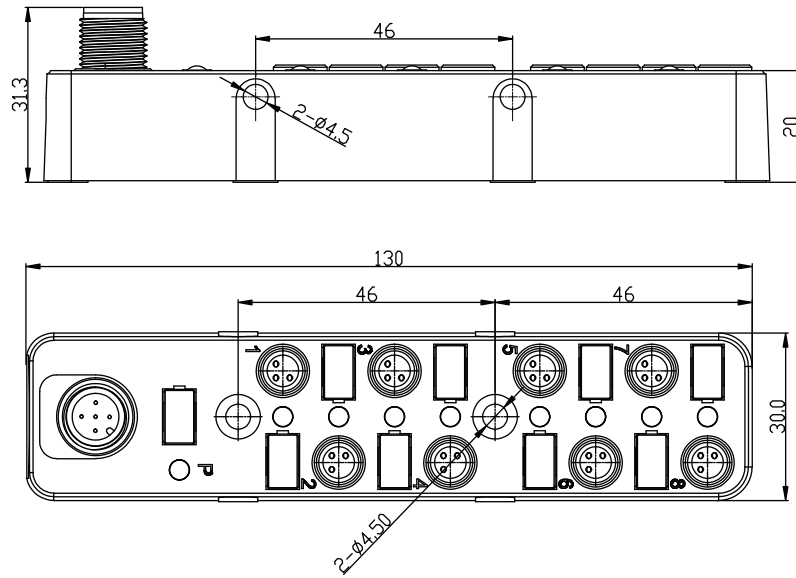
Diagnostics

Communication indication	LED indication, Communication message
Voltage detection	Support, Low voltage alarm
Short-circuit & Overload	Support, LED indication

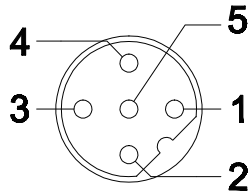
General data

Protection	IP67
Temperature	Operating -25...+70 °C, Storage -40...+85 °C
Dimensions (W*H*D)	30x130x31 mm

Dimensions drawing

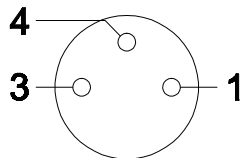


Voltage supply drawing



Class-A Port
(Male)
1-Power supply_24V+
2-Output supply_P24
3-Power supply_GND
4-IO-Link

Class-B Port
(Male)
1-Power supply_24V+
2-Output supply_P24
3-Power supply_GND
4-IO-Link
5-Output supply_N24



I/O Port
(Female)
1-Power supply_24V+
3-Power supply_GND
4-Signal IN/OUT

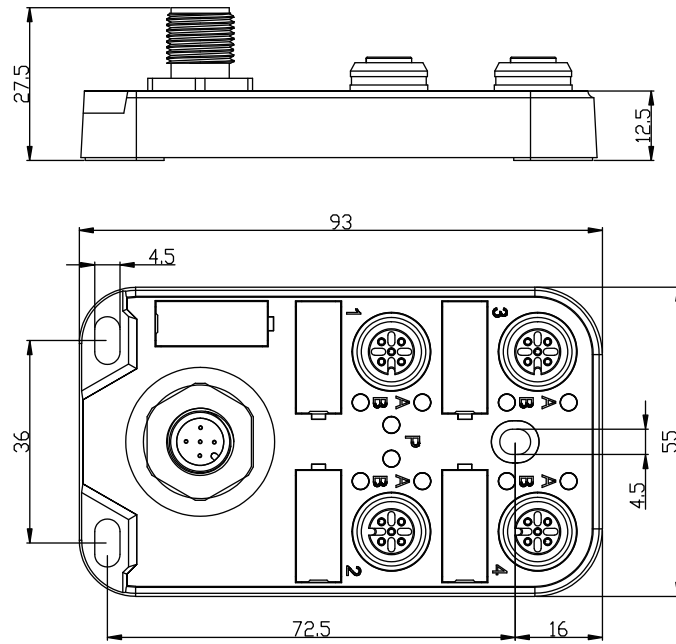
IO-Link Sensor Hub

- IO-Link Verson v1.1
- Support rates: COM2
- IO-Link Ports: Class-A or Class-B

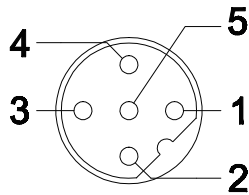


Ordering data		
Product type	LKHA-0800P-M12	LKHA-0008P-M12
Description	8DI, Class-A, 4*M12	8DO, Class-A, 4*M12
Product type	LKHB-0800P-M12	LKHB-0008P-M12
Description	8DI, Class-B, 4*M12	8DO, Class-B, 4*M12
Connections		
IO-Link	Class-A: 1 x M12 A-code 4pin, Male Class-B: 1 x M12 A-code 5pin, Male	
Power supply	Included in IO-Link interface	
Signals	4 x M12 A-code 5pin, Female	
Interface		
Input channels	8	-
Input supply current	Max. 200mA per channel	
Input type	PNP sensors, mechanical switches, dry contacts, etc..	
Input delay	3.2 ms	
Output channels	-	8
Output current	Max. 500mA per channel, 2A in total	
Output type	Lamps, solenoidvalve, etc..	
Output frequency	Resistive load 100Hz, Inductive load 5Hz	
Diagnostics		
Communication indication	LED indication, Communication message	
Voltage detection	Support, Low voltage alarm	
Short-circuit & Overload	Support, LED indication	
General data		
Protection	IP67	
Temperature	Operating -25...+70 °C, Storage -40...+85 °C	
Dimensions (W*H*D)	55x93x28 mm	

Dimensions drawing

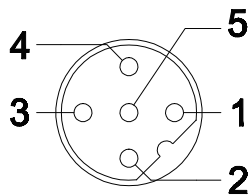


Voltage supply drawing



Class-A Port
(Male)
1-Power supply_24V+
2-Output supply_P24
3-Power supply_GND
4-IO-Link

Class-B Port
(Male)
1-Power supply_24V+
2-Output supply_P24
3-Power supply_GND
4-IO-Link
5-Output supply_N24



I/O Port
(Female)
1-Power supply_24V+
2-Signal IN/OUT_B
3-Power supply_GND
4-Signal IN/OUT_A
5-Protective earth_PE



ELCO Industrie Automation GmbH
Benzstrasse 7
71720 Oberstenfeld
Deutschland
E-Mail: info@elco-automation.de



www.elco-automation.de

ELCO (TIANJIN) ELECTRONICS CO., LTD.
No. 12, 4th XEDA Branch Road
Xiqing Economic Development Area
Tianjin 300385, P. R. China
E-Mail: info@elco.cn



www.elco-holding.com.cn